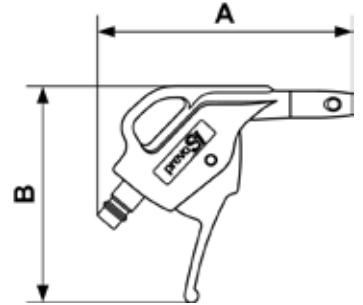


## PREVOS1 BLOW GUNS KIT ON CLIP - HIGH FLOW PROFILE - 3/8



prevoS1 blow gun with OSHA nozzle

Profile : EUROPEAN



<b>Blowing force</b>	<b>Dynamic pressure</b>	<b>Max. operating pressure</b>	<b>ID passage</b>
9 OZF	14.5 psi	174 psi	3/8"

Part number	Flow rate at 87 psi (CFM)	Sound level (dBA)	Length (ft)	ID passage (inch)	Net weight (Kg)	Dim. A (inch)	Dim. B (inch)
EBG 07OSHP	8	87	0.164	3/8"	0,078	4.49	3.82